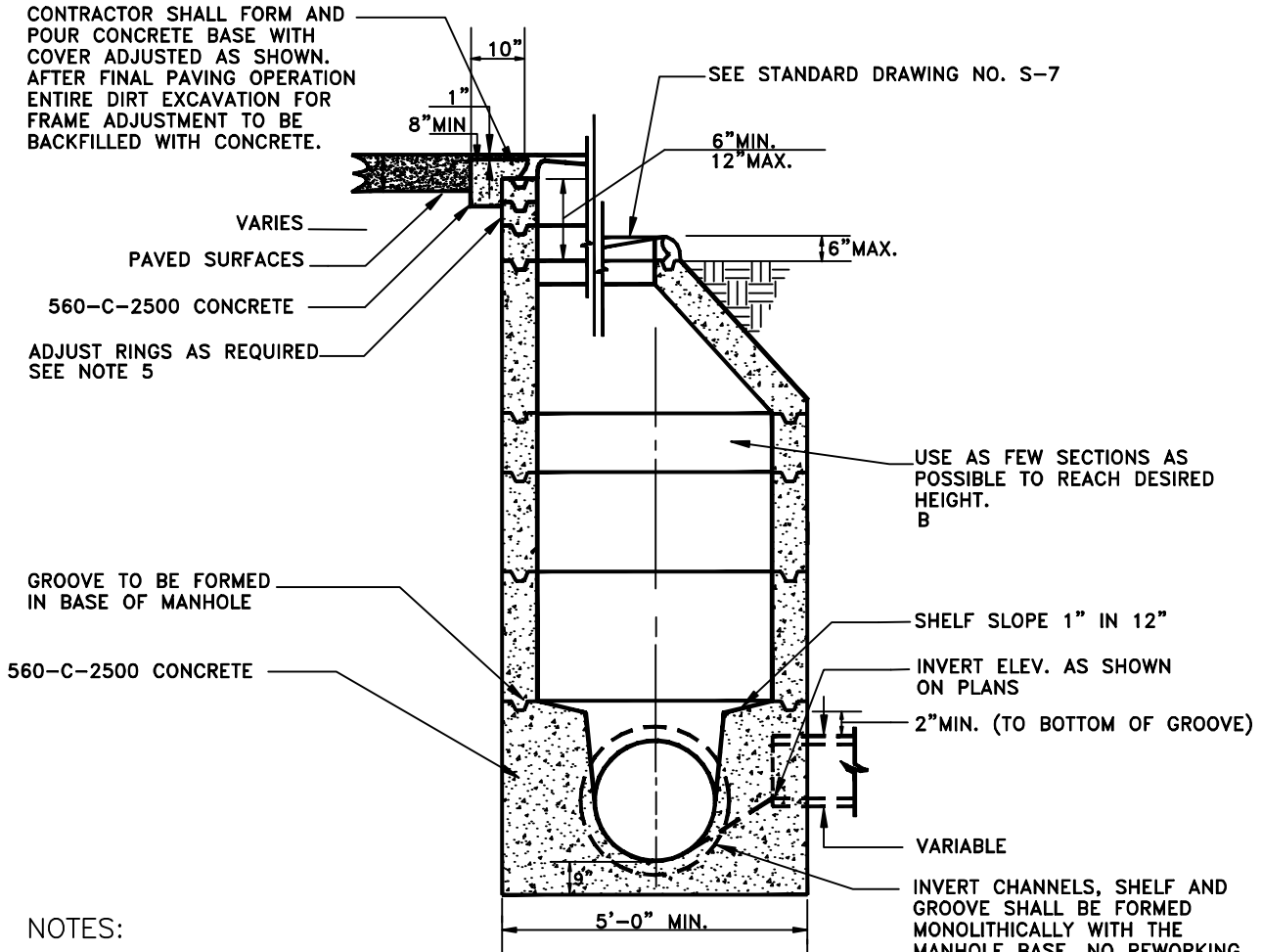


PAVED SURFACES

CONTRACTOR SHALL FORM AND POUR CONCRETE BASE WITH COVER ADJUSTED AS SHOWN. AFTER FINAL PAVING OPERATION ENTIRE DIRT EXCAVATION FOR FRAME ADJUSTMENT TO BE BACKFILLED WITH CONCRETE.

OPEN FIELD

SEE STANDARD DRAWING NO. S-7



VARIES
PAVED SURFACES
560-C-2500 CONCRETE
ADJUST RINGS AS REQUIRED
SEE NOTE 5

USE AS FEW SECTIONS AS POSSIBLE TO REACH DESIRED HEIGHT.
B

GROOVE TO BE FORMED IN BASE OF MANHOLE
560-C-2500 CONCRETE

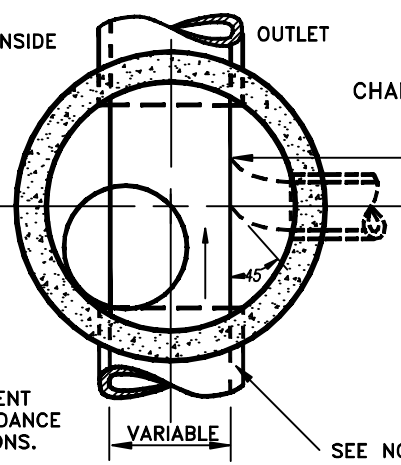
SHELF SLOPE 1" IN 12"
INVERT ELEV. AS SHOWN ON PLANS
2" MIN. (TO BOTTOM OF GROOVE)

VARIABLE
INVERT CHANNELS, SHELF AND GROOVE SHALL BE FORMED MONOLITHICALLY WITH THE MANHOLE BASE. NO REWORKING OF CONCRETE WHICH HAS PARTIALLY HARDENED.

NOTES:

1. ALL SECTIONS TO BE WASHED TO REMOVED ANY LOOSE MATERIAL AND WHILE STILL WET THEY ARE TO BE SET IN 1:3 MORTAR TRIMMED SMOOTH INSIDE AND OUTSIDE AT TIME OF SETTING INCLUDING FRAME, EXCEPT IN NOTE 4.
2. CONCRETE FOR MANHOLE SECTIONS 3000 P.S.I. MIN.
3. USE TWO FOOT (2') PIPE SECTIONS AT EACH END OF MANHOLE.
4. ON ALL EASEMENT MANHOLES, THE CONTRACTOR SHALL ANCHOR FRAME TO CONCRETE SECTIONS BY THE USE OF EPOXY OR OTHER METHOD AS APPROVED BY THE ENGINEER.
5. JOINT COMPOUND AND UNDER ADJUSTMENT RINGS AND FRAME SHALL BE IN ACCORDANCE WITH THE MANUFACTURERS SPECIFICATIONS.

SECTION



LOCATE FRAME AND COVER OVER OUTLET

MANHOLE DEPTH	DIAMETER
≤ 12'	48"
12' > 20'	60"
< 20'	72"

AUGUST 2005

CITY OF CHIND HILLS		Approved by: CITY ENGINEER
Revised: / /	by:	
Revised: / /	by:	

PRECAST MANHOLE

S-5