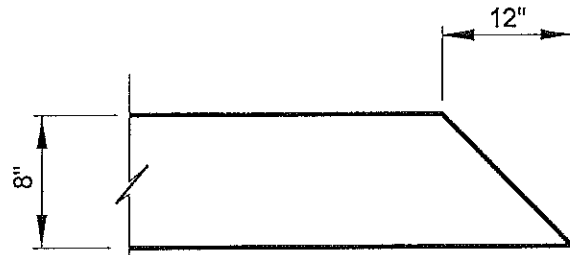
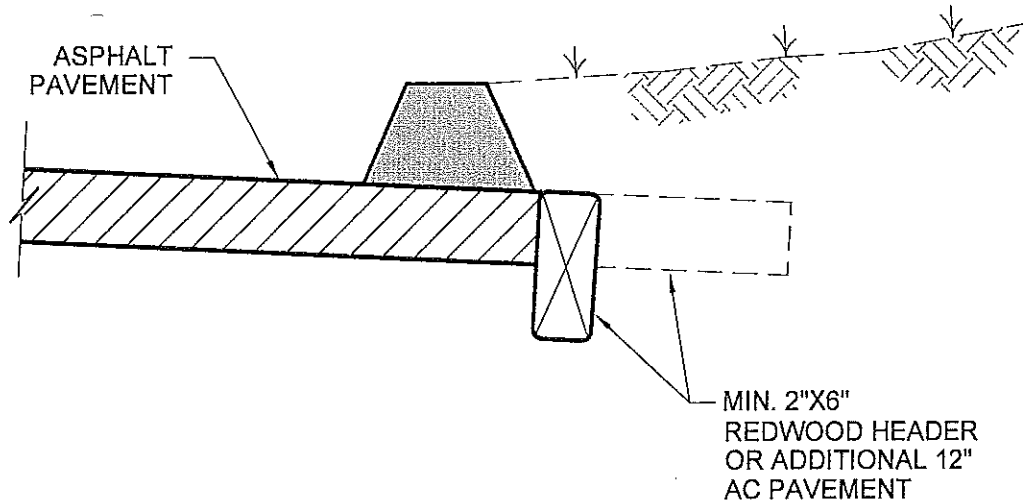


SECTION



END CUTOFF



NOTES:

1. AN AC BERM MACHINE SHALL BE USED FOR FORMING UNLESS OTHERWISE APPROVED BY THE CITY ENGINEER.
2. PRIOR TO INSTALLATION, A TACK COAT SHALL BE APPLIED TO THE ASPHALT PAVEMENT.

APPR. BY: <i>Steven C. Nix</i>		10/11
STEVEN C. NIX, CITY ENGINEER		DATE
DATE	REVISION	BY

CITY OF CHINO HILLS
ENGINEERING DEPARTMENT

ASPHALT CONCRETE BERM

110