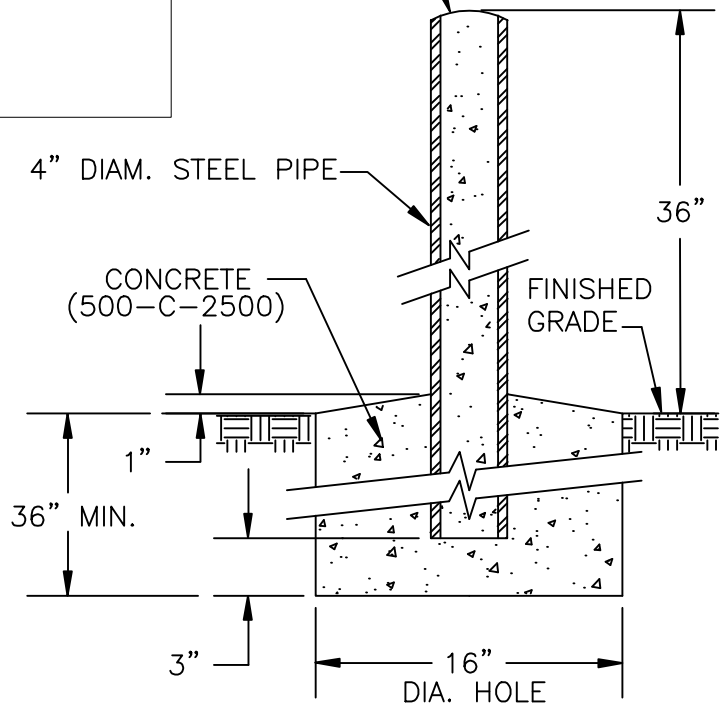


OMIT REAR GUARD POSTS ON INSTALLATIONS NOT REQUIRING PROTECTION FROM REAR.

FILL POSTS WITH CONCRETE (ROUNDED ON TOP)



POST DETAIL

NOTES :

1. TO BE INSTALLED FOR APPURTENANCES ADJACENT TO STREETS WITHOUT CURB, WITH ROLLED CURB OR WHEN APPURTENANCES NEED PROTECTION.
2. GUARD POSTS SHALL BE PAINTED IN ACCORDANCE WITH PART 3, SECTION 2-13.

AUGUST 2005

CITY OF CHIND HILLS		Approved by: CITY ENGINEER
Revised: / /	by:	
Revised: / /	by:	
Revised: / /	by:	

GUARD POSTS

W-25