

ITEM	QTY	DESCRIPTION
①	1	SERVICE OUTLET SADDLE PER STD. SPECS.
②	1	CORP. STOP, J. JONES #41 OR APPROVED EQUAL.
③	VAR.	1"—TYPE K SOFT COPPER. 2"—BRASS OR BRONZE.
④	VAR.	BRASS OR BRONZE.
⑤	2	1"—COPPER SILVER SOLDERED 90° ELBOWS OR COMPERSION JOINT WITH LOCKING WINGS. 2"—BRASS 90° THREADED.
⑥	1	BRASS COUPLING AT SURFACE ON CONC.
⑦	1	SERVICE STOP, J. JONES #180 OR APPROVED EQUAL.
⑧	1	"APCO" HEAVY DUTY COMB. AIR RELEASE VALVE, OR APPROVED EQUAL PER PART 3 SECTION 2-05.
⑨	1	STD. GALV. 90° ST. ELBOW; 3" LONG STD GALV. NIPPLE T-2E; STD. GALV., 90° ELBOW; & 3" LONG STD GALV. NIPPLE T-1E. ORIENTED TO CLEAR AIR VALVE BODY. PROVIDE EXHAUST SCREEN.
⑩	2	BRASS PIPE NIPPLE, THREADED BOTH ENDS.
⑪	1	1/2" BRASS GATE VALVE,(NO HANDLE); 1/2" X 2" BRASS NIPPLE; 1/2" BRASS ST. ELB.

ALL PIPE FITTINGS AND VALVES SHALL BE SAME DIAMETER AS AIR VALVE INLET.

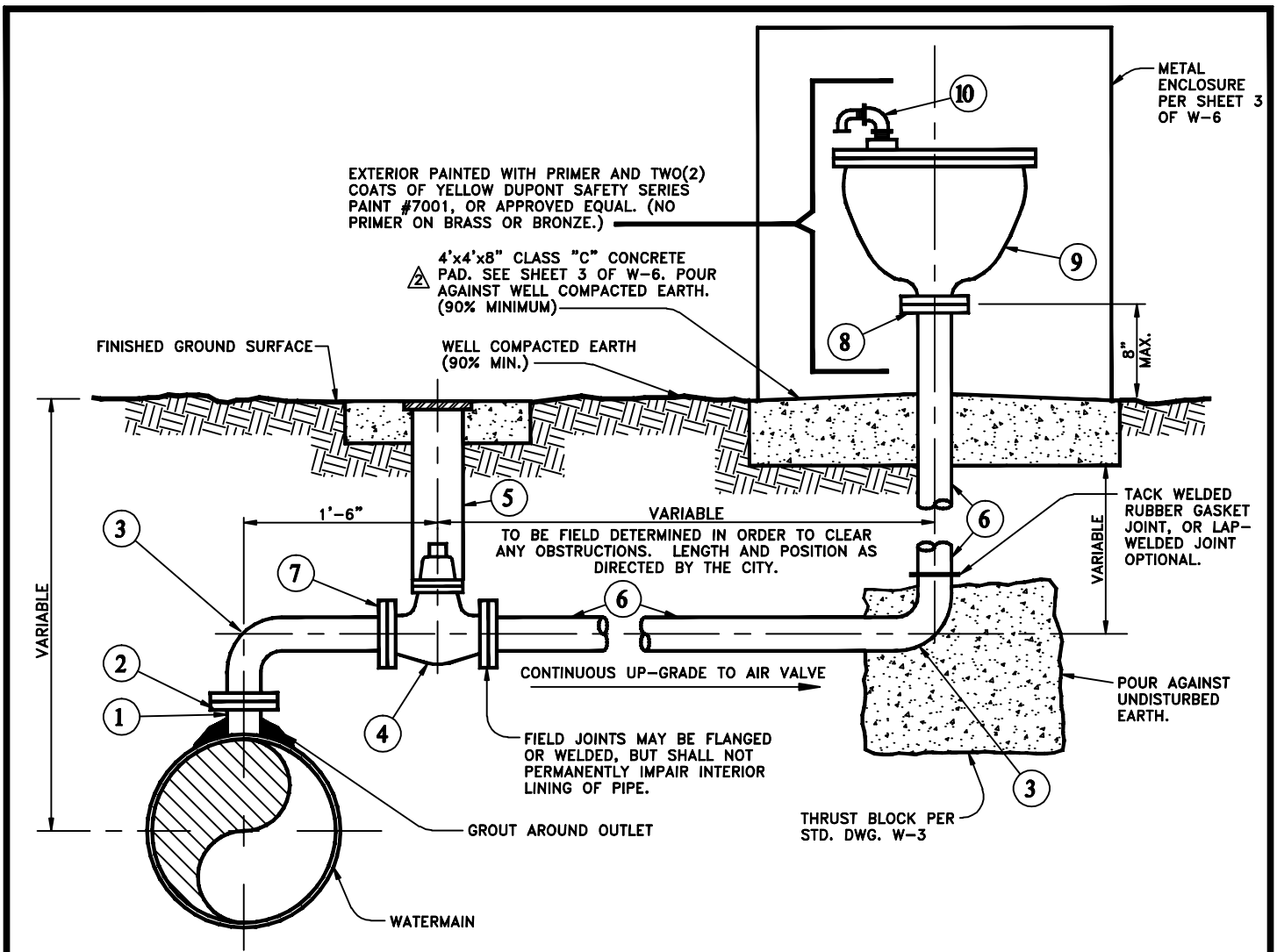
PIPE THREADS SHALL BE CLEAN AND SHARP AND SEALED WITH AN APPROVED JOINT COMPOUND.

AUGUST 2005

CITY OF CHIND HILLS		Approved by:
Revised:	/ /	by:
Revised:	/ /	by:
Revised:	/ /	by:
		CITY ENGINEER

AIR VALVE INSTALLATION (1" OR 2" DIAMETER)

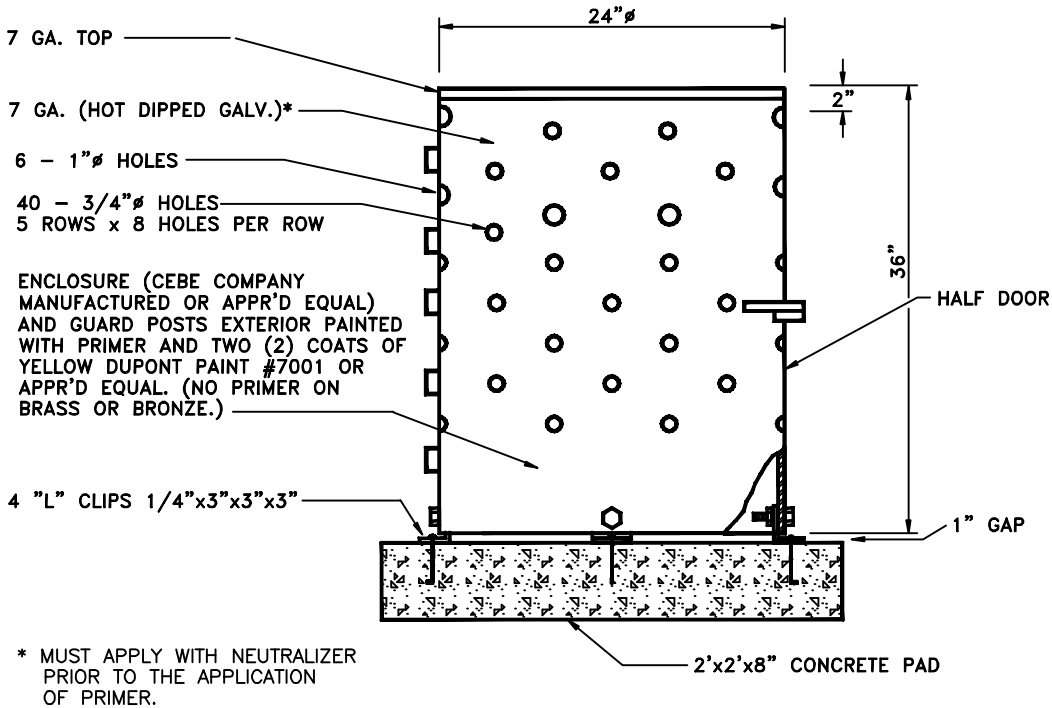
W-6



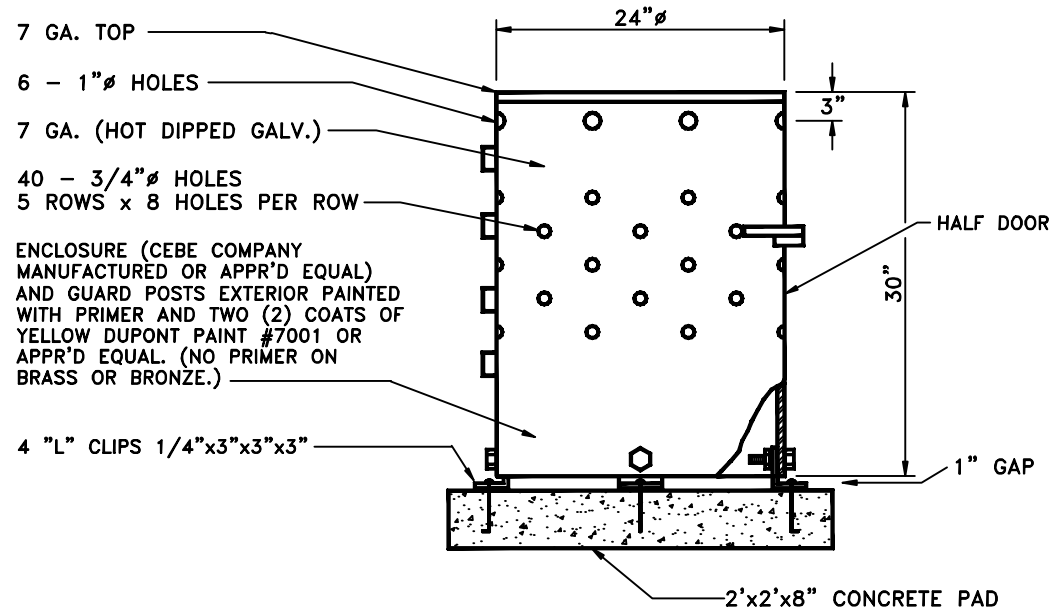
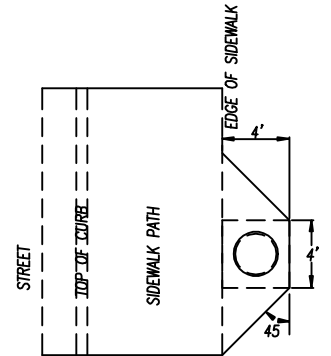
ITEM	QTY	DESCRIPTION
①	1	10 GA. MIN. OUTLET WELDED TO PIPE PER SPECIFICATIONS, WITH A.S.A. 150 LB. (MIN.) SLIP-ON FLANGE, WELDED ON. REINFORCED PER SPECIFICATIONS.
②	1	A.S.A. SLIP-ON FLANGE. (SHIP LOOSE FOR FIELD WELDING)
③	2	4 PC. 90° BEND, 10 GA. MIN., LINED AND COATED, SAME AS MAIN.
④	1	A.W.W.A. C-509 FLANGED RESILENT SEAT GATE VALVE, CLASS AS NOTED ON PLAN, 2" SQ. OPERATING NUT, MUELLER OR APPROVED EQUAL.
⑤	1	STANDARD VALVE BOX INSTALLATION PER STANDARD DRAWINGS W-4 OR W-5.
⑥	VAR	STEEL PIPE 10 GA. MIN., C.M.L. & C., SAME AS MAIN.
⑦	2	SLIP-ON FLANGE TO MATCH FLANGE ON GATE VALVE. (SHIP LOOSE FOR FIELD WELDING)
⑧	1	SLIP-ON FLANGE TO MATCH FLANGE ON AIR VALVE.
⑨	1	"APCO" HEAVY DUTY COMBINATION AIR RELEASE VALVE, OR APPROVED EQUAL, CAST IRON BODY, STAINLESS STEEL AND BRONZE INTERNAL WORKING PARTS, STANDARD SCREWED OUTLET TOP AND FLANGED BOTTOM, 300 W.O.G. MODEL 149C.
⑩	2	STANDARD WEIGHT GALV. 90° STREET ELBOW W/EXHAUST SCREEN.

AUGUST 2005

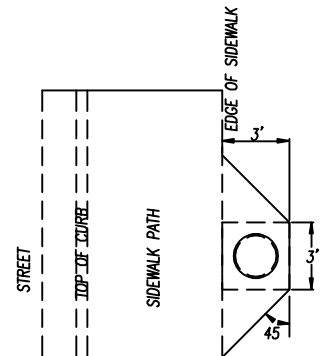
CITY OF CHIND HILLS		Approved by:	AIR VALVE INSTALLATION (4" DIAMETER)	W-6
Revised: / /	by:			
Revised: / /	by:			
Revised: / /	by:	CITY ENGINEER		2 OF 3



4" DIAMETER AIR VALVE ENCLOSURE



1" AND 2" DIAMETER AIR VALVE ENCLOSURES



AUGUST 2005

CITY OF CHIND HILLS			
Revised: / /	by:	Approved by:	
Revised: / /	by:		
Revised: / /	by:	CITY ENGINEER	

**AIR VALVE INSTALLATION
(ENCLOSURES)**

W-6