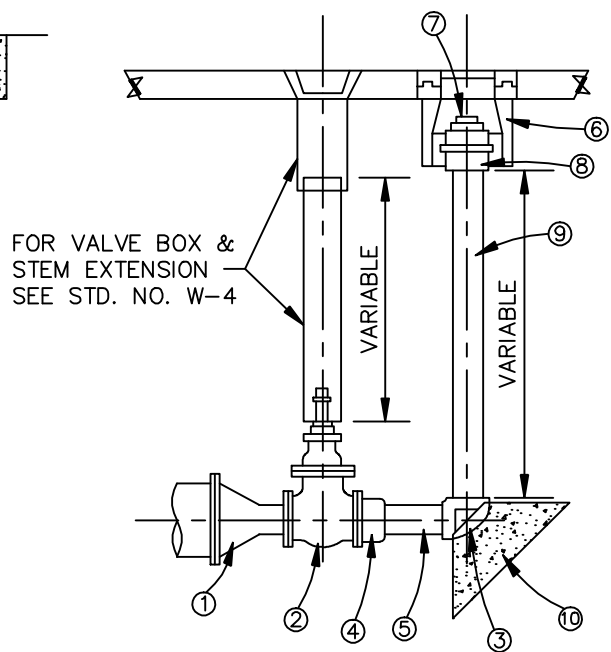
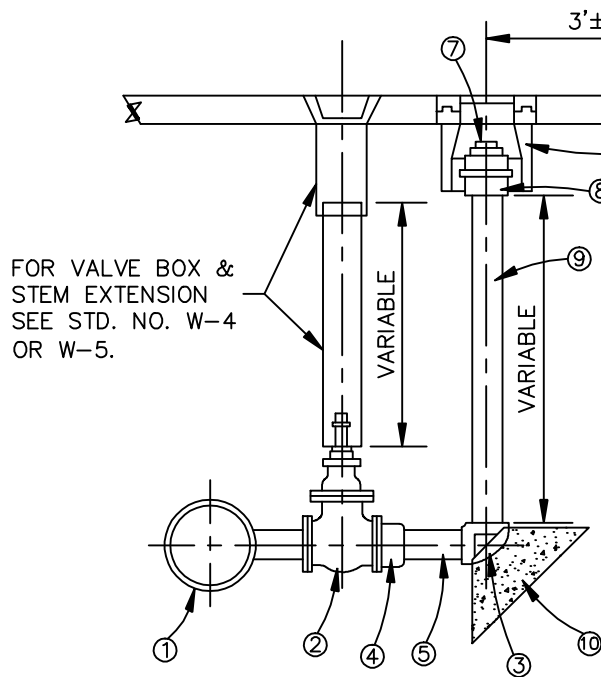


LIST OF MATERIAL

ITEM	DESCRIPTION
1	MAIN SIZE X 4"/6" TEE, OR MAIN SIZE X 4"/6" REDUCER
2	GATE VALVE OR BUTTERFLY VALVE PER STD. PLAN W-4 OR W-5.
3	4"/6" SCHEDULE 80 PVC 90° ELL, S X S, R & G SLOANE MFG. CO. #806-040 OR APPROVED EQUAL.
4	4"/6" COMPANION FLANGE
5	4"ø/6"ø X 12" LONG SCHEDULE 80 PVC PIPE, NPT X S, CERTAINTEED PROD. CORP., OR APPROVED EQUAL.
6	TRAFFIC BOX WITH LID, 10" DIAM. X 12", BROOKS PROD. # 3-RT (DOMESTIC WATER), # 4-TT (RECYCLED WATER) OR APPROVED EQUAL.
7	4"/6" PVC PIPE PLUG.
8	4"/6" SCHEDULE 80 PVC FEMALE ADAPTER, S X T, R & G SLOANE MFG. CO. #835-040 OR APPROVED EQUAL.
9	VARIABLE LENGTH 4"/6" SCHEDULE 80 PVC PIPE, S X S, CERTAINTEED OR EQUAL.
10	CONCRETE THRUST BLOCK PER STD. NO. W-3.



AUGUST 2005

CITY OF CHIND HILLS			4" (OR 6") SAND BLOW-OFF	W-7
Revised: / /	by:	Approved by:		
Revised: / /	by:			
Revised: / /	by:	CITY ENGINEER		