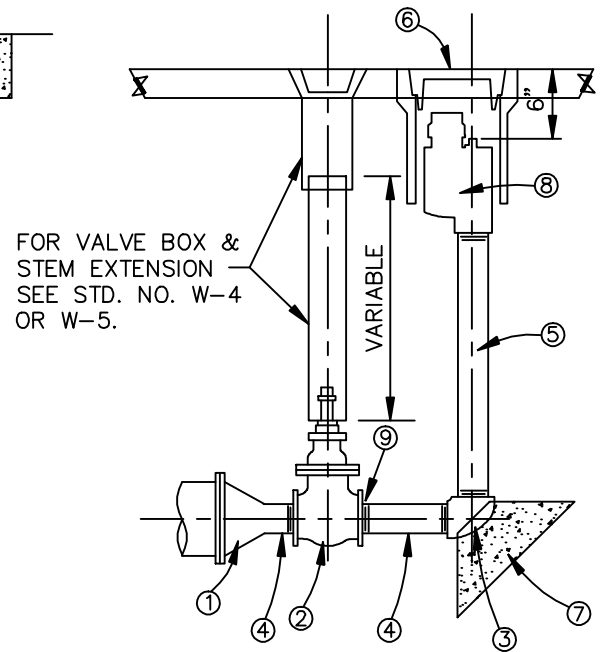
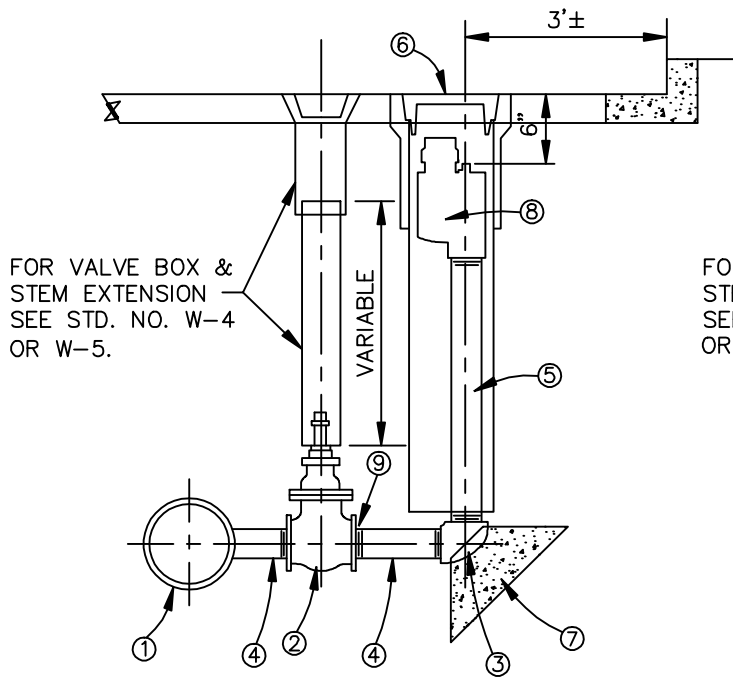


ITEM	LIST OF MATERIAL
①	MAIN SIZE X 4" FLG TEE., OR MAIN SIZE X 4" REDUCER
②	GATE VALVE OR BUTTERFLY VALVE PER STD. PLAN W-4 OR W-5.
③	2" SCHEDULE 80 PVC 90° ELL, S X S.
④	2"φx12" LONG SCHEDULE 80 PVC PIPE, NPT.
⑤	2" SCHEDULE 80 PVC NPT. X S
⑥	TRAFFIC BOX WITH LID, 10" DIAM. X 12", BROOKS PROD. # 3-RT (DOMESTIC WATER), # 4-TT (RECYCLED WATER) OR APPROVED EQUAL.
⑦	CONCRETE THRUST BLOCK PER STD. NO. W-3
⑧	KUPFERLE'S MODEL NO. TF550 BLOW-OFF
⑨	4" FLANGE TAPPED FOR 2" NPT.



AUGUST 2005

CITY OF CHINO HILLS			
Revised: / /	by:	Approved by:	
Revised: / /	by:		
Revised: / /	by:	CITY ENGINEER	

**2" DIAMETER BLOW-OFF  
INSTALLATION**

**W-8**