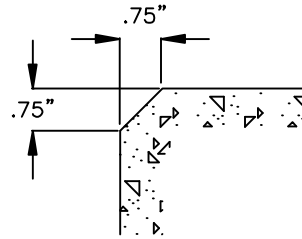
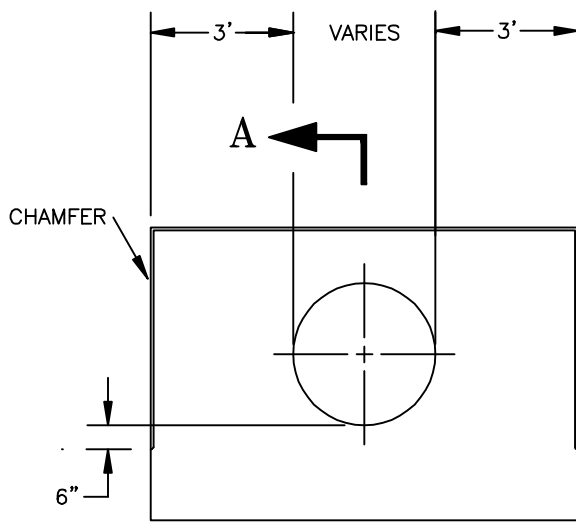


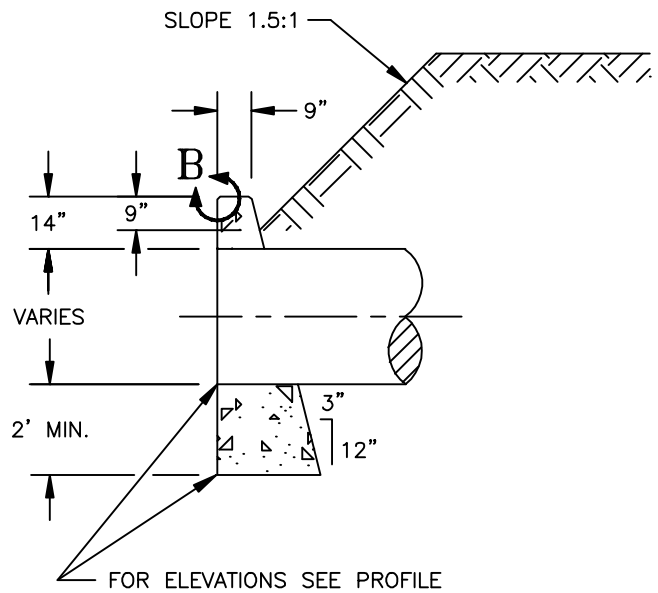
PLAN



VIEW B



ELEVATION



SECTION A-A

NOTES:

1. ALL CONCRETE SHALL BE 560-C-3250 CONCRETE.
2. ALL EXPOSED CORNERS SHALL BE CHAMFERED 0.75".
3. DESIGN FEATURES SHALL CONTROL THE INSTALLATION OF THIS HEADWALL.

CITY OF CHINO HILLS

CHRIS VOGT
CITY ENGINEER

GRAVITY HEADWALL

201