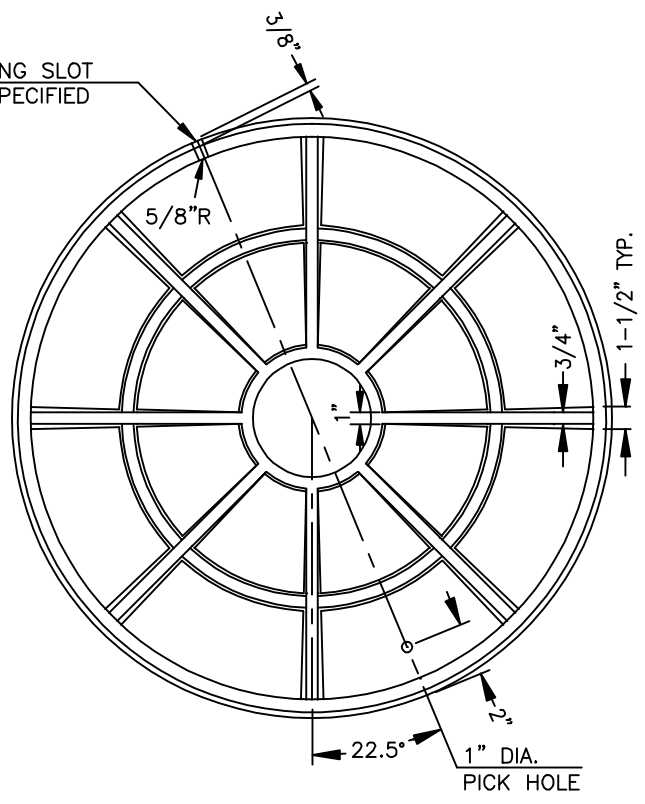
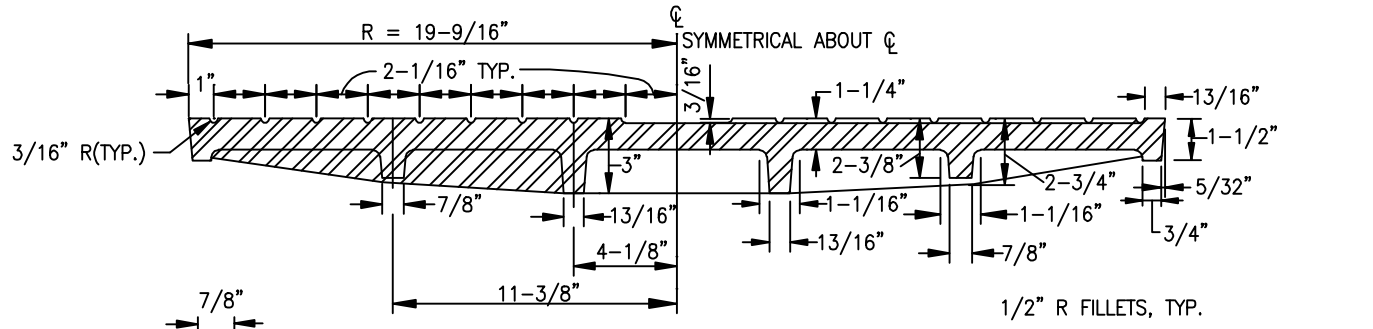


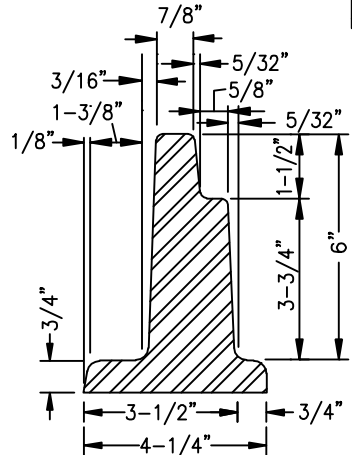
COVER FOR 36" CLEAR OPENING FRAME



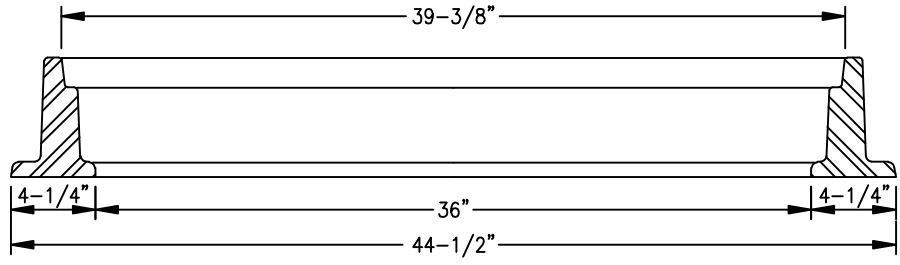
BOTTOM PLAN OF COVER



SECTION A-A



DETAIL OF FRAME



SECTION THRU FRAME

CITY OF CHINO HILLS

CHRIS VOGT
CITY ENGINEER

36-INCH MANHOLE
FRAME AND COVER

203
1 OF 2