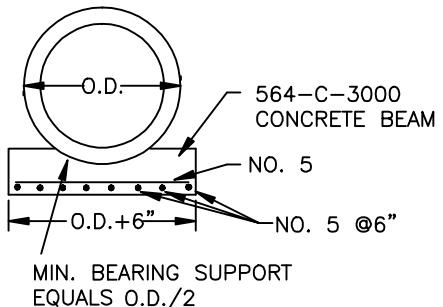
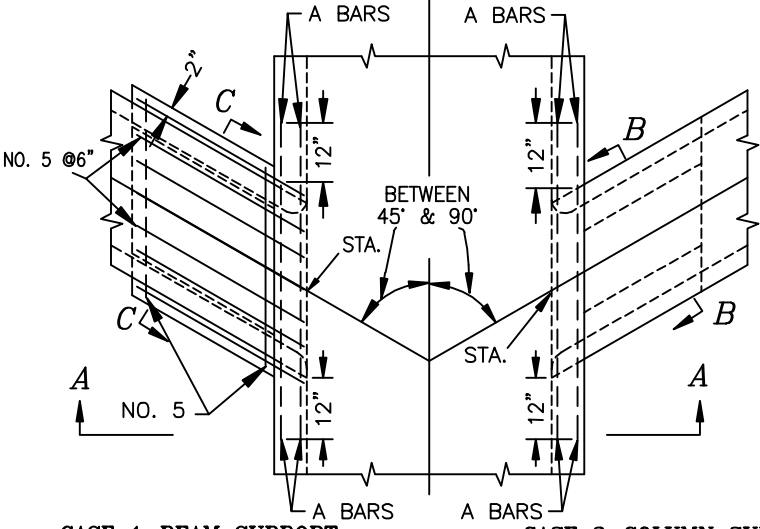


**SECTION A-A**

**SECTION B-B**

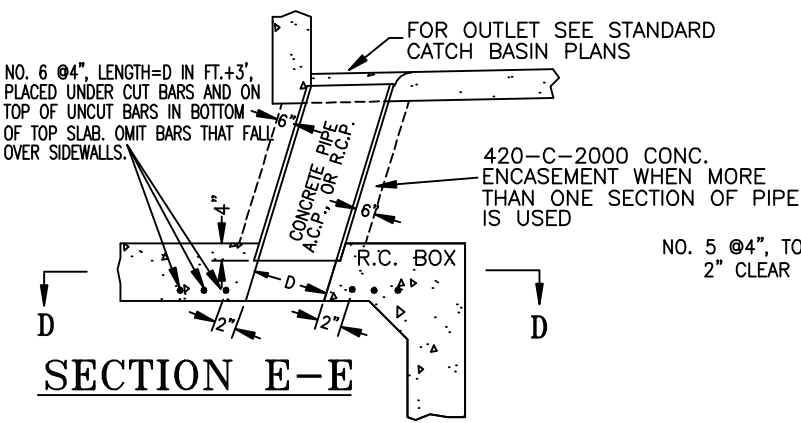


**SECTION C-C**

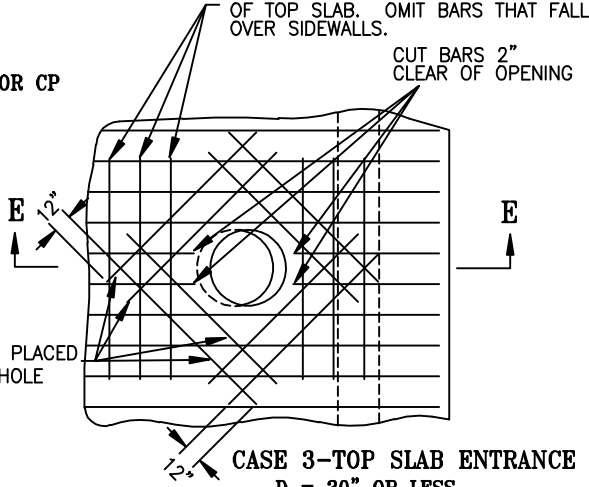
**CASE 1-BEAM SUPPORT**  
D = 30" OR LESS

**CASE 2-COLUMN SUPPORT**  
D = 60" OR LESS FOR CMP  
D = 30" OR LESS FOR RCP OR CP

**PLAN**



**SECTION E-E**



**SECTION D-D**

**NOTES:**

1. ALL CORRUGATED METAL PIPE AND FITTINGS SHALL BE GALVANIZED.
2. USE JUNCTION STRUCTURE NO. 2 WHERE SIZE OF INLET PIPE EXCEEDS DIMENSIONS GIVEN ABOVE.
3. UNLESS OTHERWISE SPECIFIED CASE 2 SUPPORT SHALL BE USED.
4. ELEV. S SHALL BE SPECIFIED ON PROJECT DRAWINGS ONLY WHERE TOP OF PIPE IS MORE THAN 12" BELOW SOFFIT OF BOX.