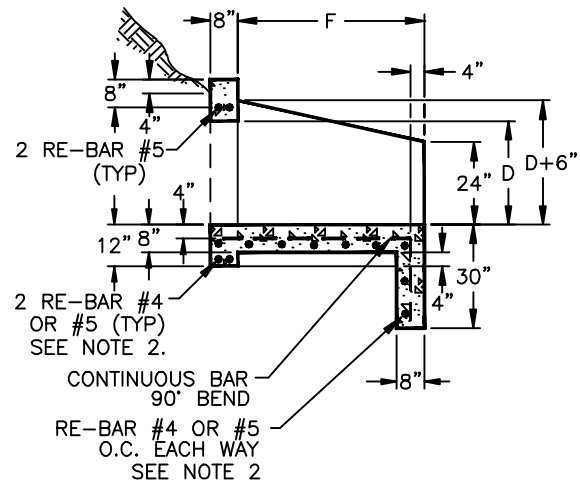
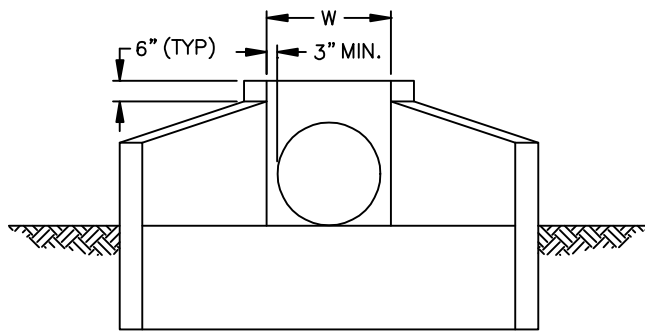
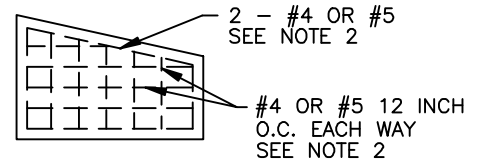


HEADWALL SHALL BE MONOLITHIC.
LAP ALL BARS AT CORNERS 30 DIAMETERS
IF NOT CONTINUOUS.



DIMENSIONS				
D	L	E	F	W
24"	57"	32"	48"	30"
30"	65"	36"	54"	36"
36"	72"	40"	60"	44"
42"	79"	44"	66"	50"
48"	87"	48"	72"	58"
54"	98"	54"	81"	64"

NOTES:

1. HEADWALL SHALL BE CONSTRUCTED OF 560-C-3250 CONCRETE.
2. REINFORCED STEEL SHALL BE NO. 4 BARS FOR "W" UP TO 60 INCHES. ABOVE "W" = 60 INCHES NUMBER 5 BARS SHALL BE USED. TWO INCH MIN. CLEARANCE 30 INCH DIAMETER LAP, ALL STEEL.
3. ADJACENT SLOPES SHALL BE 1.5 TO 1 OR FLATTER.
4. MULTIPLE PIPES TO BE SET WITH LONGITUDINAL CENTERS 1.67 DIAMETERS APART.
5. ALL EXPOSED CORNERS TO BE ROUNDED 0.75 INCHES RADIUS.
6. "W" SHALL BE INCREASED WHEN MULTIPLE PIPES OF PIPES ON SKEW ARE USED.