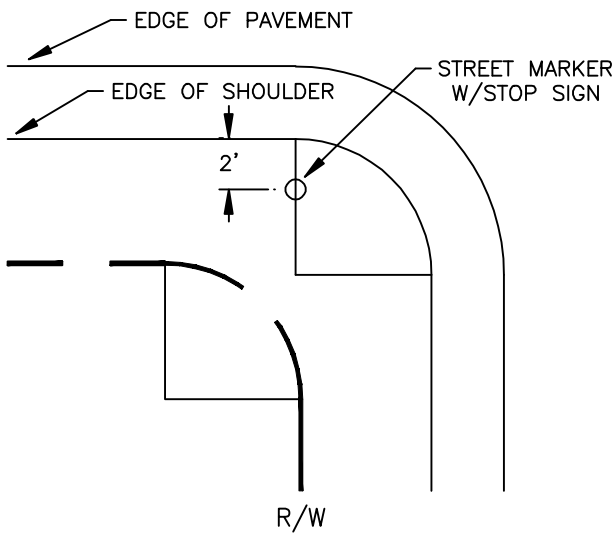
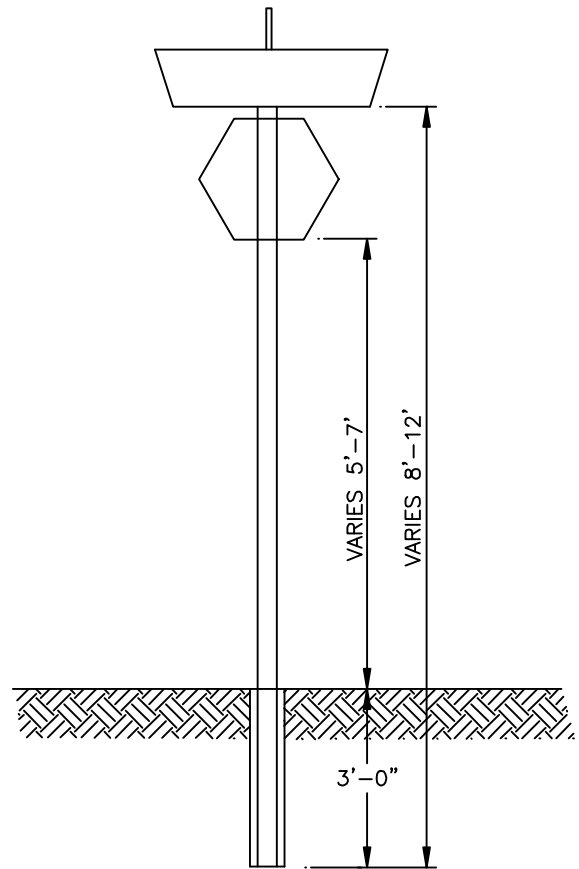


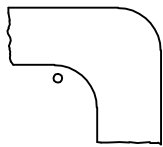
**PLAN**



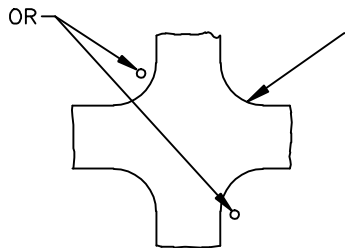
**PLAN**



**ELEVATION**

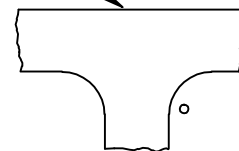


**L INTERSECTION**



**X INTERSECTION**

o STREET MARKER



**T INTERSECTION**

**NOTES:**

1. MARKER TO BE SET ON CITY RIGHT OF WAY.
2. LOCATION OF MARKER SHOWN IS APPROXIMATE.
3. MARKERS TO BE VISIBLE FOR A DISTANCE OF 150 FEET.
4. IF EITHER ROAD IS DIVIDED INTO 4 LANES OR MORE, ADDITIONAL MARKERS WILL BE REQUIRED.
5. STREET MARKERS LOCATED AT MAJOR ROADS WILL BE MOUNTED ON 12' POSTS TO ACCOMMODATE A STOP SIGN.

**CITY OF CHINO HILLS**

**CHRIS VOGT**  
CITY ENGINEER

**STREET MARKER**

**302A**